

# Installation Guide

## SERIAL CONNECTOR - 24V



### Introduction

The Serial Connector is a small, flexible device that puts networking and protocol interfacing exactly where you need it. Each of the Serial Connector's (3) RS-485 ports can be set up to communicate simultaneously and independently using a wide variety of today's most popular BAS protocols.

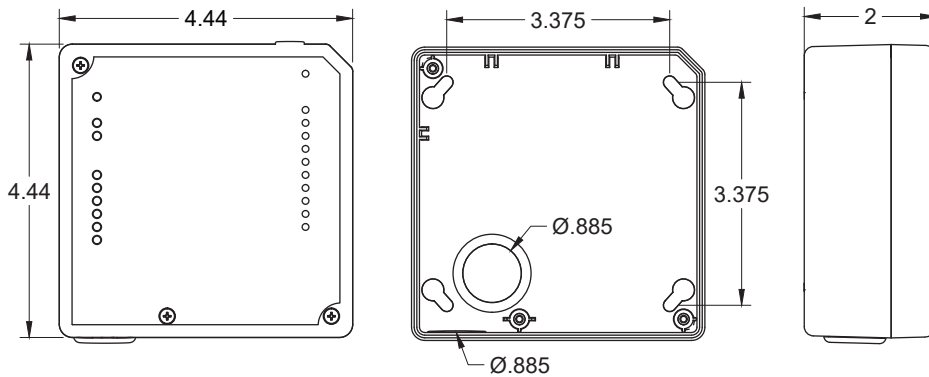
### What's Included



#### Parts List

- 1 Serial Connector
- 2 7/8" snap in panel plug
- 3 7/8" expandable locking grommet
- 4 (3) spring loaded captive screws

### Case Dimensions



# Installation Guide

## SERIAL CONNECTOR - 24V



### Install

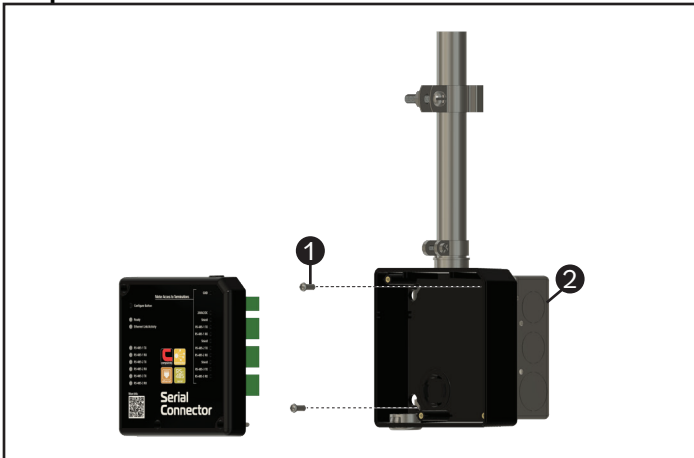
#### Safety Considerations

- Computrols always recommends professional installaton.
- Do not remove electronics cover or any electronic component. This should only be done at the factory.
- This installation guide demonstrates wiring 24VAC or 24VDC only. Line voltage installations beyond this document should always be performed by a qualified professional.

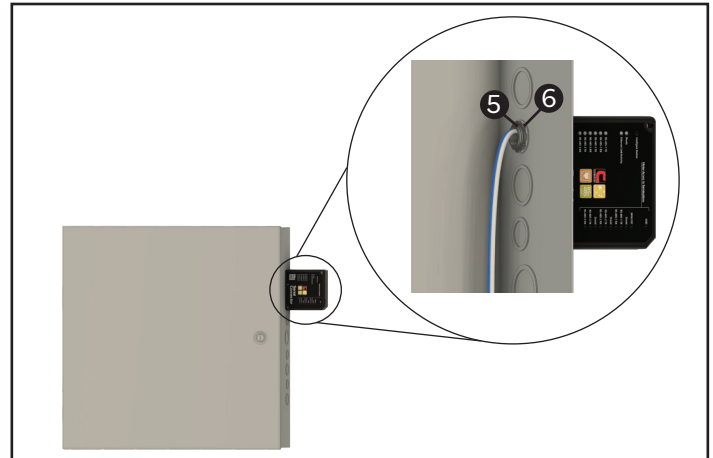
#### Step 1

Determine which of the three mounting options below is best for your particular installation.

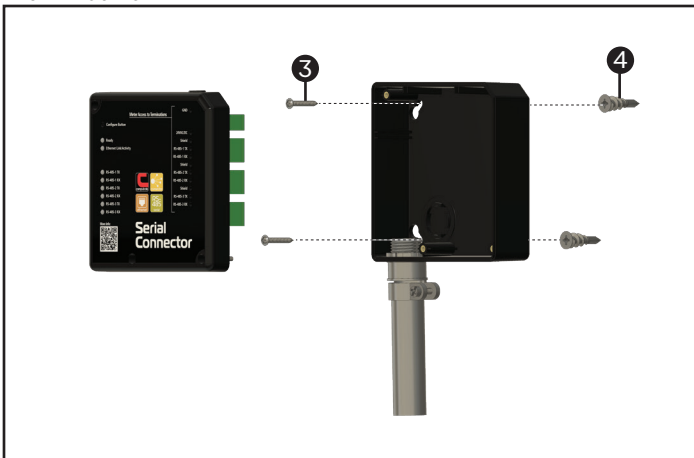
##### 4 Square Box



##### Enclosure Mount



##### Wall Mount



#### Required Parts

- 1) 2) #6 screws
- 2) 4 square box
- 3) (2-4) #6 drywall anchor screws
- 4) (2-4) Drywall anchors for #6 screws
- 5) 1/2" conduit nipple
- 6) Locknut

#### Step 2

Use a phillips screw driver to unlock the top plate from the bottom plate. The screws are spring loaded, captive screws. They are not intended to be removed from the case.

#### Step 3

Mount the Serial Connector on a 4 square box, on a wall, inside or outside of an existing enclosure

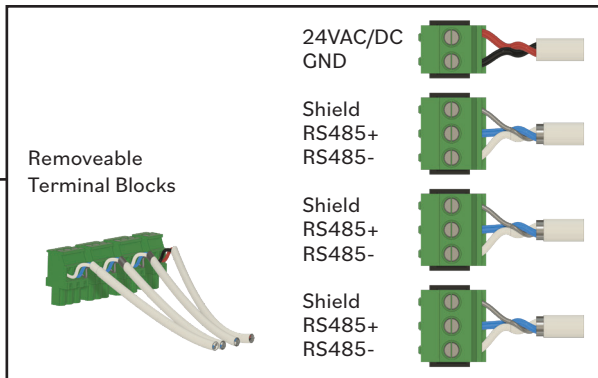


# Installation Guide

## SERIAL CONNECTOR - 24V



### Wire

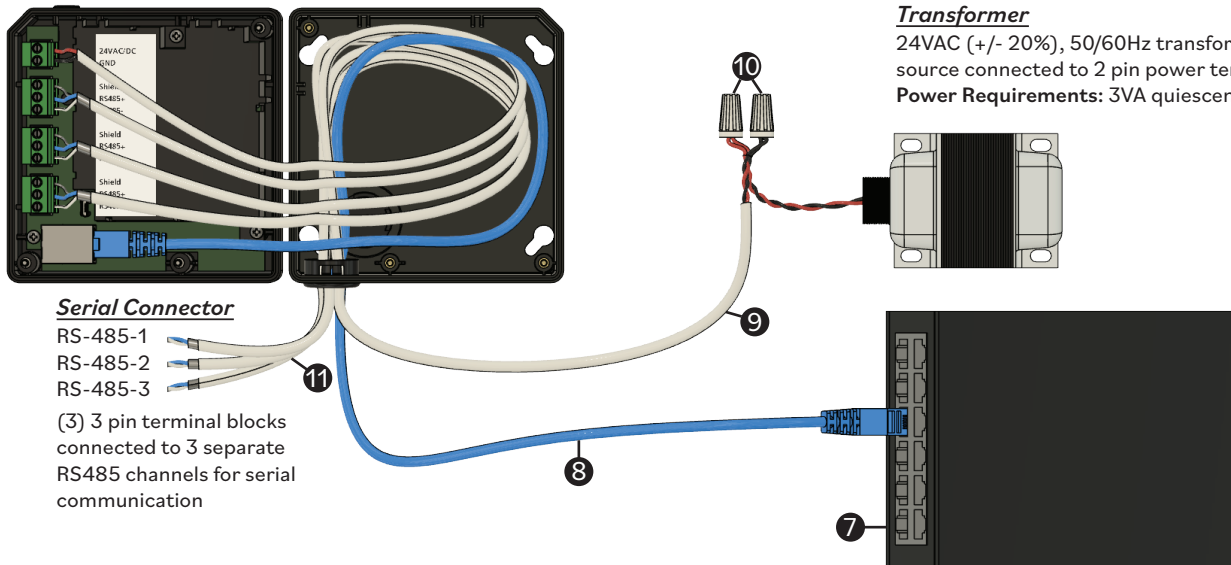


#### Required Parts

- ⑦ Network switch
- ⑧ CAT6 ethernet cable
- ⑨ 2 conductor jacketed cable
- ⑩ Wire nuts
- ⑪ 2 conductor jacketed cable with shield

#### Transformer

24VAC (+/- 20%), 50/60Hz transformer or 24VDC source connected to 2 pin power terminal block  
**Power Requirements:** 3VA quiescent, 8VA full load



#### Serial Connector

RS-485-1  
 RS-485-2  
 RS-485-3  
 (3) 3 pin terminal blocks connected to 3 separate RS485 channels for serial communication

#### Network Switch

Network switch and RJ45 jack connected via CAT6 ethernet cable for CBAS communication

#### Step 4

Connect as many as **(3) isolated RS-485 serial ports** for communicating with whatever you need.

#### Step 5

From your Network Switch, plug the CAT6 ethernet cable into the Serial Connector's RJ45 jack to establish communication to CBAS over a secure high speed Ethernet network.

#### Step 6

Power device with 24VAC transformer or a 24VDC source.

# Installation Guide

## SERIAL CONNECTOR - 24V



### Configure

**Step 7**  
Get the Computrols App. Computrols' latest devices have all been designed to utilize a common **mobile device app** for ease of installation and many other technical tasks. The App will allow you connect to the Serial Connector and view all configuration options. If you already have the Computrols App, proceed to the next step below.

You can find the **Computrols App** in the following sites:



Once you get the app you will need a **valid account** with user login credentials. Please contact your supervisor for this.

**Step 8**  
Once logged into the App, you will be able to connect to your new Serial Connector. Simply press the **Connect to a Device** button and follow the instructions provided by the App to complete the installation process.

