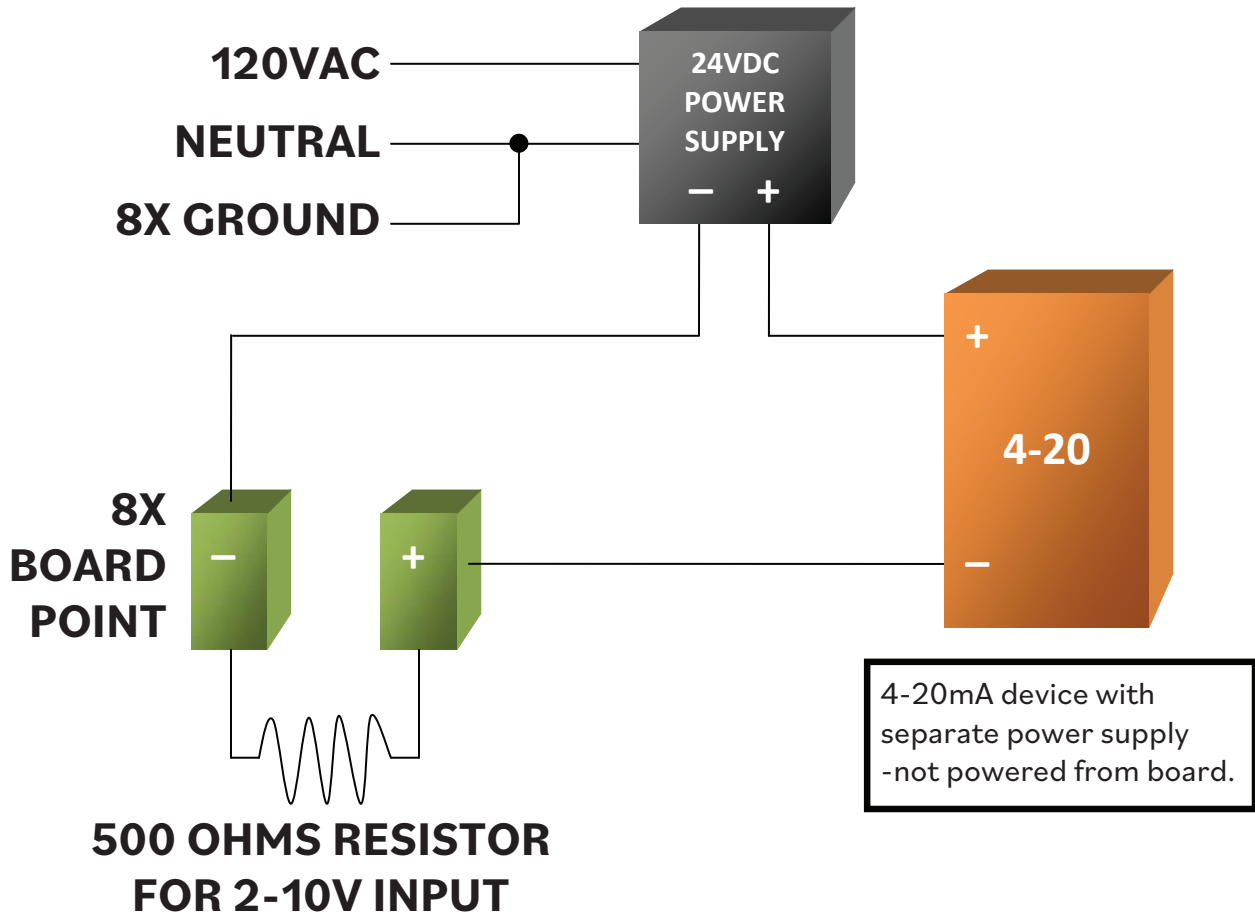


## 4-20mA Device Wiring Diagram



**\*1-5V INPUT REQUIRES 250 OHMS RESISTOR**